

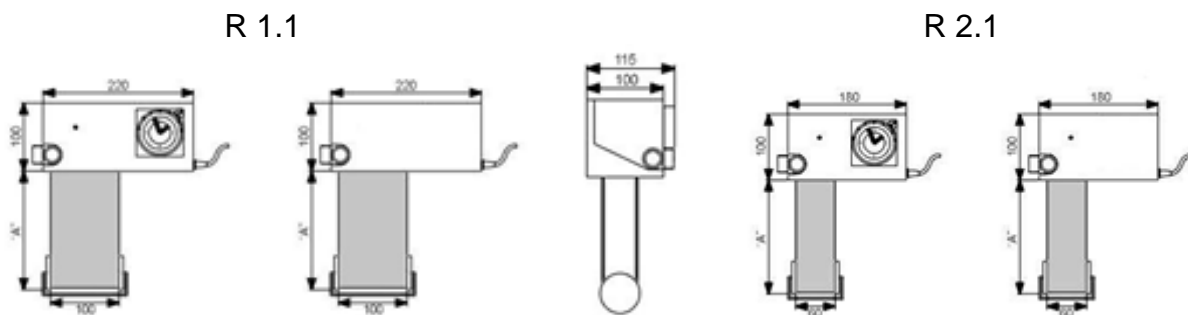
Oil Skimmer data sheet 1

Advantages R 1.1 and R 2.1:

- replacement of the belt within 15 sec
- oil draining possible in two directions
- direct pipe connection possible ($\frac{3}{4}$ ")
- large ($\frac{3}{4}$ ") Oil/sludge outlet
- compact unit

Standard equipment:

- Basic unit with 3 m cable (Skimmer belt not included in the basic unit)
- Double wiper
- Oil drain hose 0,2 meters
- Transport- and loading roller (incl. Retaining bracket) galvanised



Oil Skimmer data sheet 2

R 1.1: for machines with up to 6 m² surfaces

Basic unit:

R 1.1 Bandskimmer with timer, 230V / 50 Hz; without transport band

R 1.1 Bandskimmer without timer, 230V / 50-60 Hz; without transport band

Please ask for other models, voltages and frequencies.

**Standard skimmer belt R 1.1:
for lubricating coolants; pH value 7 - 11, temperature max. 40°C,
band width 100 mm**

	Lenght	Submersion depth "A"
	600mm	185 mm
	800mm	285 mm
Outside: black / Inside: black	1000mm	385 mm
	1200mm	485 mm
	1500mm	635 mm
	2000mm	885 mm

**Special Skimmer belt R 1.1:
for wash baths; pH value 4 - 13, temperature max. 70°C,
band width 100 mm**

	Lenght	Submersion depth "A"
	600mm	185 mm
	800mm	285 mm
Outside: green / Inside: black	1000mm	385 mm
	1200mm	485 mm
	1500mm	635 mm
	2000mm	885 mm

Please ask for other measurements. Transport bands are subject to wear and tear; they don't have a guarantee period

Attachments:

Universal fastening angle

Special wiper R 1.1

Transport roller R 1.1 high-grade steel

Loading roll R 1.1 high-grade steel

Oil Skimmer data sheet 3

R 2.1: for machines with up to 2 m² surfaces

Basic unit:

R 2.1 Bandskimmer with timer, 230V / 50 Hz; without transport band

R 2.1 Bandskimmer without timer, 230V / 50-60 Hz; without transport band

Please ask for other measures. Transport bands are subject to wear and tear; they don't have a guarantee period

Standard skimmer belt R 2.1:

for lubricating coolants; pH value 7 - 11, temperature max. 40°C,
band width 60 mm

	Lenght	Submersion depth "A"
	600 mm	185 mm
	800 mm	285 mm
Outside: black / Inside: black	1000 mm	385 mm
	1200 mm	485 mm
	1500 mm	635 mm
	2000 mm	885 mm

Spezial- skimmer belt R 2.1:

for wash baths; pH value 4 - 13, temperature max. 70°C, band width 60 mm

	Lenght	Submersion depth "A"
	600 mm	185 mm
	800 mm	285 mm
Outside: green / Inside: black	1000 mm	385 mm
	1200 mm	485 mm
	1500 mm	635 mm
	2000 mm	885 mm

Please ask for other measures. Transport bands are subject to wear and tear; they don't have a guarantee period

Attachments:

Universal fastening angle

Special wiper R 2.1

Transport roller R 2.1 high-grade steel

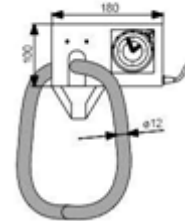
Loading roll R 2.1 high-grade steel

Oil Skimmer data sheet 4

R 3.1: for machines with up to 15 m² surfaces

Advantages:

- replacement of the hose within 15 sec
- large oil-/sludge outlet
- compact unit



Standard equipment:

- Basic unit with 3 m cable (Skimmer hose not included in the basic unit)
- with timer

Basic unit:

R 3.1 Hose skimmer with timer, 230V / 50 Hz; without transport hose

R 3.1 Hose skimmer without timer, 230V / 50 Hz; without transport hose

Please ask for other measures. Transport bands are subject to wear and tear; they don't have a guarantee period

Standard skimmer hose R 3.1:

For lubricating coolants; pH value 6 – 13, temperature max. 70°C, diameter 12mm

	Lenght
Black	1000 mm
	2000 mm
	3000 mm
	4000 mm
	5000 mm
	6000 mm

Please ask for other measures. Skimmer hose are subject to wear and tear; they don't have a guarantee period

Attachments:

Universal fastening angle