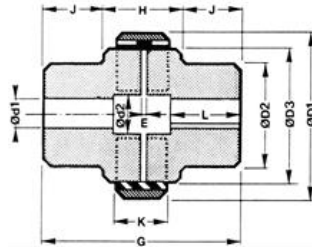
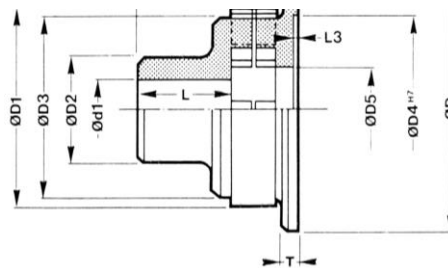


**The SMX coupling is available as:**

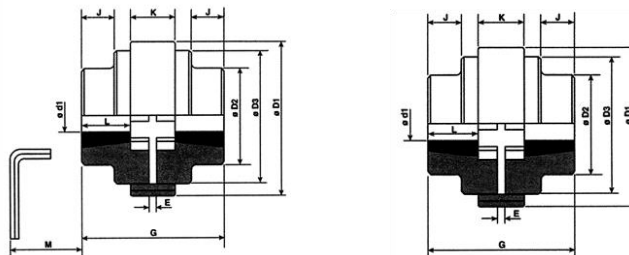
Standard coupling Type A



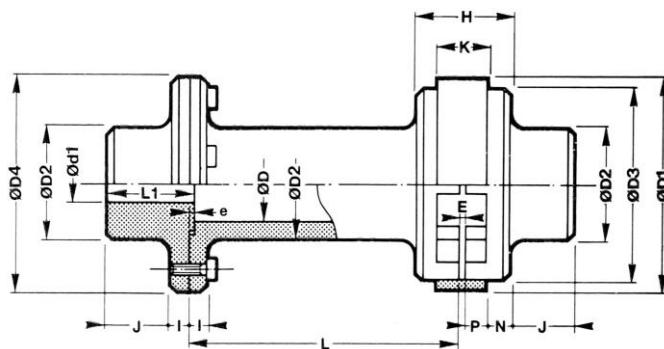
Flange coupling Type AB



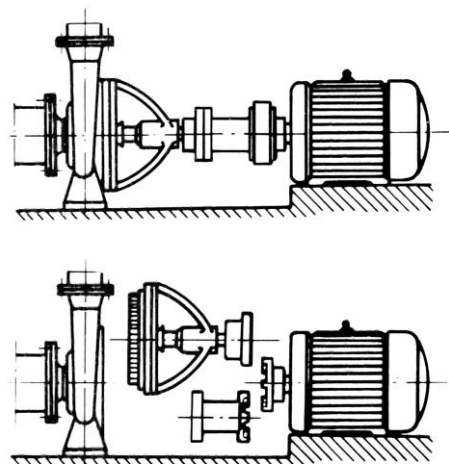
Taper bush Type AT



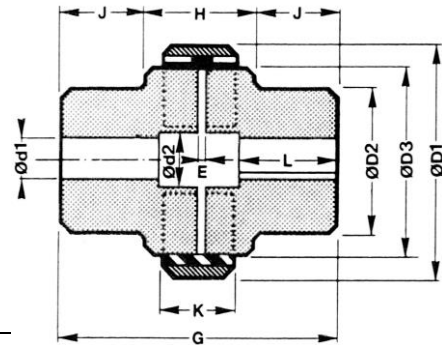
Spacer coupling Type AE



Type AE



## SMX – Standard coupling **Type A**



Technical Details														
Type	A00*	A0*	A1	A2	A3**	A4**	A45	A5	A55	A6	A7	A8	A9	A10
Nom. Torque (Tkmax.) Nm	6.5	20	50	100	200	400	700	1000	1500	2000	4000	7500	12500	25000
Max. Torque (Tkmax.) Nm	20	50	90	250	500	1000	1750	250	3000	4000	8000	15000	25000	40000
Max. Speed R.P.M.	10000	9000	8000	6500	4800	3500	3100	2900	2600	2500	2200	1850	1600	1250
Dimensions (mm)														
Type	A00*	A0*	A1	A2	A3	A4	A45	A5	A55	A6	A7	A8	A9	A10
G	50	73	92	127	154	179	196	215	244	259	309	379	418	479
Max. Bore d1	16	23	38	42	50	65	75	85	95	110	130	150	180	210
Pre Bore	4	-	14	17	19	24	25	30	30	39	48	63	73	96
D1	43	63	80	107	139	178	202	225	250	265	306	363	425	523
D2	35	52	65	80	85	110	125	140	155	180	205	240	280	330
D3	35	52	65	86	116	150	170	190	215	234	267	326	385	484
d2	21	25	39	44	51	66	90	90	115	119	131	157	182	212
L	19	28	35	46	56	63	70	76	90	94	115	146	162	188
H	-	-	-	55	64	85	92	101	108	117	133	151	160	189
J	-	-	-	36	45	47	52	57	68	71	88	114	129	145
K	12	16	22	32	42	51	55	59	63	67	75	85	92	102
Assembly dimensions and tolerances (mm)														
Type	A00*	A0*	A1	A2	A3	A4	A45	A5	A55	A6	A7	A8	A9	A10
E Assembly	1.5	1.5	1.5	2.5	2.5	3.5	3.5	3.5	3.5	3.5	4	5	5	5
Axial Tolerances	+0.3	+0.3	+0.5	+0.5	+0.7	+0.8	+1.0	+1.0	+1.0	+1.0	+1.0	+1.5	+1.5	+2
Radial Tolerances	0.10	0.10	0.10	0.10	0.15	0.20	0.20	0.20	0.20	0.20	0.30	0.30	0.30	0.40
Angular tolerances	0.10	0.10	0.10	0.15	0.15	0.15	0.15	0.15	0.15	0.15	0.20	0.20	0.20	0.20
Weight (kg)	0.3	0.8	1.7	3.9	6.8	13	19	26	36	50	70	140	215	350

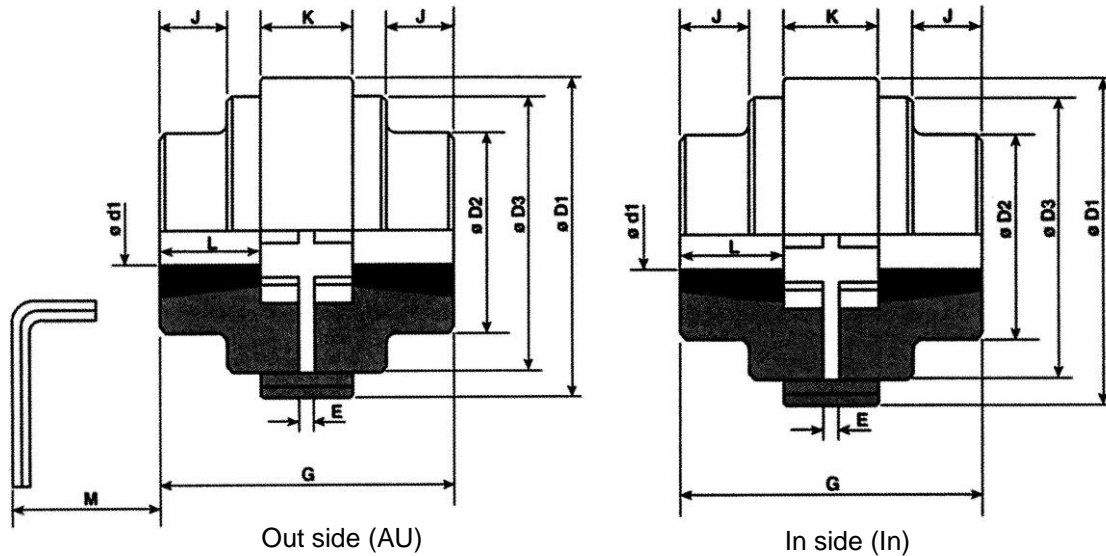
\* Hubs material aluminium alloy

Kühner Handel GmbH  
72770 Reutlingen  
Bierwiesenstr. 2  
Germany

Telephone +49 7121/ 9277 – 0  
Telefax +49 7121/ 9277 – 10

email: info@kuehner.de  
web: www.kuehner.de

## SMX - coupling **Type AT** Taper bush



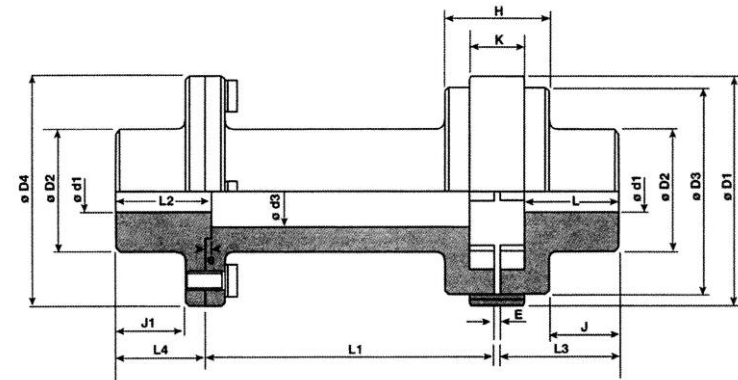
Technical Details									
Type		AT1	AT2	AT3	AT4	AT45	AT5	AT6	AT7
Taper Bush	Outside	1108	1210	1610	2012	2517	3020	3535	4545
	Inside	1108	1210	1610	2012	2517	3020		
Dimensions (mm)									
Type		AT1	AT2	AT3	AT4	AT45	AT5	AT6	AT7
G		78	95	105	128	155	172	258	304
Bore d1	Min	9	11	14	14	16	25	35	55
	Max	28	32	42	50	60	75	90	110
D1		80	107	139	178	202	225	265	306
D2		65	80	85	110	125	140	180	205
D3		65	86	116	150	170	190	234	267
L		28	31	31	38	50	56	95	115
J		-	16	16	17	32	32	42	86
K		22	32	42	51	55	59	67	75
E Assembly		1.5	2.5	2.5	3.5	3.5	3.5	3.5	4
M		29	38	38	42	50	55	67	70

Kühner Handel GmbH  
72770 Reutlingen  
Bierwiesenstr. 2  
Germany

Telephone +49 7121/ 9277 - 0  
Telefax +49 7121/ 9277 - 10

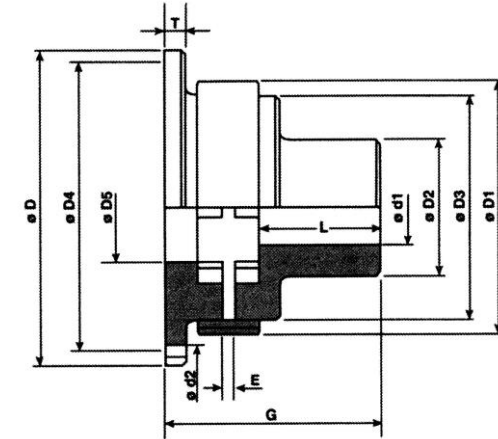
email: info@kuehner.de  
web: www.kuehner.de

## SMX – Elastic Coupling **Type AE** spacer coupling



Technical Details Dimensions (mm)

Type	AE 1			AE 2			AE 3			AE 4			AE 5			AE 6			AE 7		
Max. bore d1	38			42			50			65			85			110			130		
Pre bore	14			17			19			24			29			39			48		
D1	80			107			139			178			225			265			306		
D2	65			80			85			110			140			180			205		
D3	65			86			116			150			190			234			267		
D4	100			120			140			178			225			265			315		
d3	38			42			50			65			85			110			130		
L	35			46			56			63			76			94			115		
L2	37			54			60			65			79			93			118		
L3	45			62			76			87			105			127			152		
L4	35			52			57.5			62.5			76.5			90			115		
H	-			53			68			82			100			119			134		
J	24.5			36			45			47			57			71			88		
J1	25			36			42			47			56			70			90		
K	22			32			42			51			59			67			75		
E Assembly	1.5			2.5			2.5			3.5			3.5			3.5			4		
e	2			2			2.5			2.5			2.5			3			3		
L1 (mm)	100	120	140	100	120	140	100	120	140	120	140	180	140	180	200	180	200	250	200	250	
Weight (kg)	3.65	3.70	3.75	7.6	7.8	8.0	10.8	11.3	11.8	21.2	21.8	22.6	41.8	43	47	72	75	81	126	146	



## SMX – Elastic Coupling **Type AB** flange coupling

Dimensions (mm)																					
Typ	A2 EB-SAE			A3 EB-SAE			A4 EB-SAE			A5 EB-SAE			A6 EB-SAE			A7 EB-SAE			A8 EB-SAE		
G	100			120			127			152			178			211			258		
Max. bore d1	42			50			65			85			110			130			150		
D1	107			139			178			225			265			306			363		
D2	80			85			110			140			180			205			240		
D3	86			116			150			190			234			267			326		
D5	45			55			75			100			125			150			170		
L	46			56			63			76			94			115			146		
E Assembly	2.5			2.5			3.5			3.5			3.5			4			5		
T	12			15			17			20			22			25			30		
D4	200.02	222.25	244.47	222.25	244.47	295.27	244.47	295.27	333.37	295.27	333.37	438.15	333.37	438.15	488.95	438.15	488.95	542.92	488.95	542.92	641.35
D h9	215.9	241.3	263.5	241.3	263.52	314.32	263.52	314.32	352.42	314.32	352.42	466.72	352.42	466.72	517.52	466.72	517.52	571.5	517.52	571.5	673.1
d2	9.5	9.5	11	9.5	11	11	11	11	11	11	11	14.5	11	14.5	14.5	14.5	14.5	18	14.5	18	18
Z Number of holes	6	8	6	8	6	8	6	8	8	8	8	8	8	8	8	8	8	6	8	6	12
Weight (kg)	6	7	9	10	12	13	15	17	20	25	29	34	37	45	53	62	71	80	115	126	135