

Telescopic cover page 1 of 2

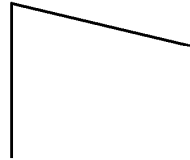
Shape:



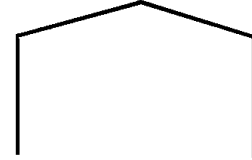
Standart



Flat roof



Slanting



Roof form

Mounting position: horizontal vertical frontal

Necessary measures:

Height from upper external side to bearing guide (H) mm
 Max. external left-hand height (He) mm
 Max. external right-hand height (Hr) mm
 Max. external length (B) mm
 Open length (L. max.) mm
 Closed length (L) mm
 Extension (Az) mm
 Element length (K) mm
 Number of elements St
 Guide width (Bf) mm
 Guide height (Hf) mm
 Guide kind
 Inclination angle (α) °
 Width of slanting side (Bs) mm
 Width of straight side (Bg) mm

Required quantity:

Special equipment:

Glide shoe: right left depth: mm
 walkable while inactive
 pantographs, for uniform and noiseless movements
 Sliding by skids: right left
 Sliding by rollers: right left

Material:

<input type="checkbox"/> Chips (which)	<input type="checkbox"/> Air	Type of machine:
<input type="checkbox"/> Spänetemperatur °C	<input type="checkbox"/> Sun/UV	For protection of:
<input type="checkbox"/> Welt spatter °C	<input type="checkbox"/> Dust	Acceleration: g
<input type="checkbox"/> Abrasive slurry	<input type="checkbox"/> Water	Speed: m/min
<input type="checkbox"/> Environment temperature..... °C		<input type="checkbox"/> Emulsion
<input type="checkbox"/> Oil		
<input type="checkbox"/> Others.....		
<input type="checkbox"/> constantly	<input type="checkbox"/> for a short time	

Flange mounting: at the biggest element at the smallest element

End cover plate: at the biggest element at the smallest element

Customer:

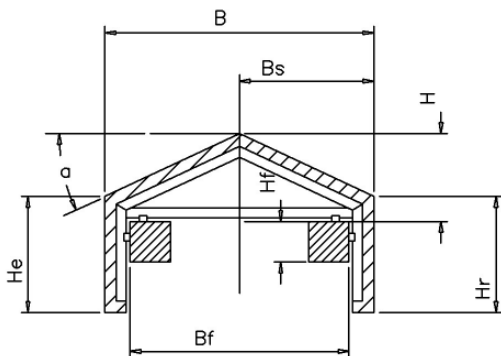
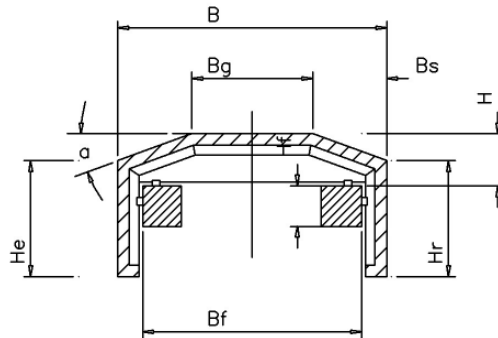
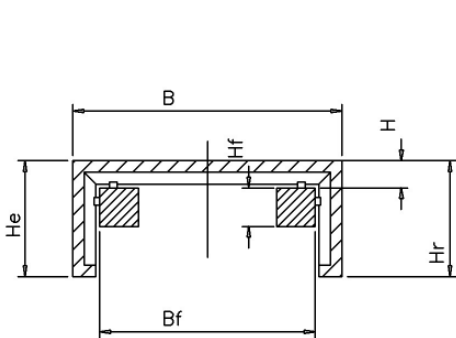
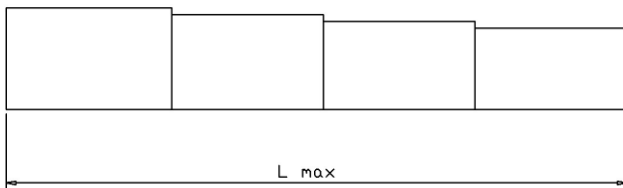
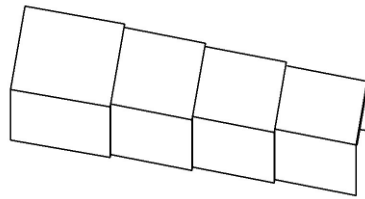
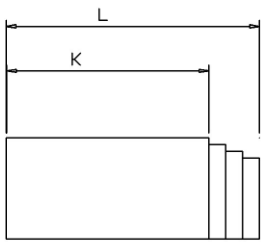
Company: _____ Your name: _____
 Address: _____ City/Post Code _____
 Phone: _____ Fax: _____
 E-Mail: _____

Kühner

Telescopic cover page 2 of 2

Please add, if possible an engineering drawing of the fitting situation and segments.

Underlined points are obligatory



Teleskopabdeckung